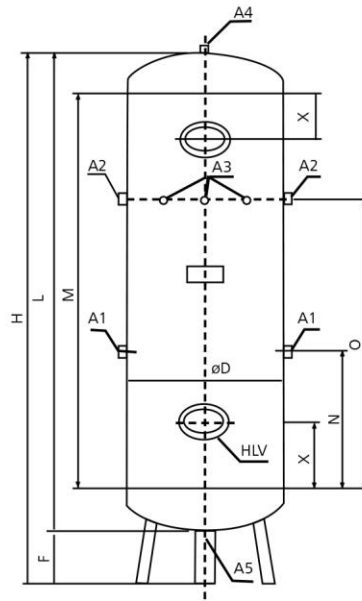


IX. Compressed air tank DLB (vertical construction)



Product description

- Compressed air tanks with a capacity of up to 750 litres, 11 bar, are manufactured in accordance with Directive 2009/105/EC and EN 286 1; those with a capacity of 750 litres and more, 16 bar, in accordance with the PED 97/23/EC and the AD 2000 data sheets
- Maximum permissible working temperature: -10°C to 50°C; for compressed air tanks with a capacity of 750 litres or more and 16 bar: 0°C to 50°C
- Connections: sleeves in accordance with DIN 2986, thread in accordance with DIN 2999
- Inspection opening: HLV hand hole seal 100 mm ´ 150 mm
- Protection against corrosion: primer applied to the outside / raw on the inside; inside and outside hot-dip galvanized (full immersion)
- Compressed air tanks with a capacity of more than 1000 litres are available upon request.

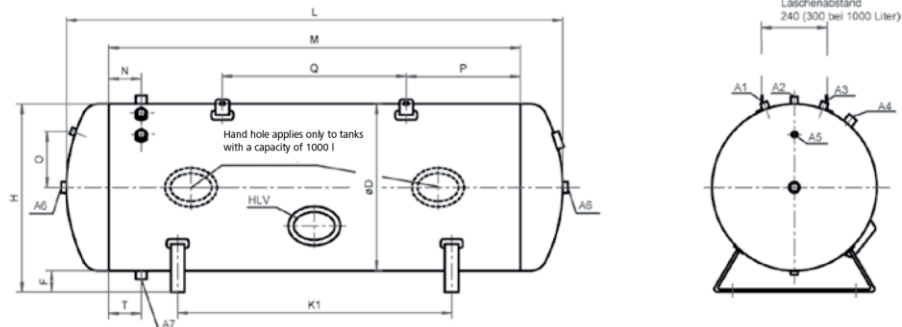
IX. Compressed air tank DLB (vertical construction)

Tank model	DLB	40	60	90	150	250	350	500	750	1000
Capacity	[litre]	40	60	90	150	250	350	500	750	1000
Diameter	D [mm]	300	300	350	400	500	550	600	750	800
Height without base	L [mm]	674	924	990	1310	1400	1610	1780	1880	2160
Height of base	F [mm]	150	150	150	200	200	200	200	180	180
Total height	H [mm]	824	1074	1140	1460	1600	1810	1980	2060	2310
Length of casing	M [mm]	500	750	800	1110	1160	1350	1500	1500	1750
	N [mm]	100	300	300	560	540	530	520	490	480
	O [mm]	450	700	750	1010	990	980	1310	1280	1270
	X [mm]	–	–	–	250	250	250	250	250	250
Sleeves A1 RP	[inches]	1	1	1	1	1	1	1	1	1
A2 RP	[inches]	–	–	–	1	1	1	1	1	1
A3 RP	[inches]	¼	¼	¼	½	½	½	½	½	½
A4 RP	[inches]	½	½	½	1	1	1	1	1	1
A5 RP	[inches]	½	½	½	½	½	½	½	1 ½	1 ½
HLV	[piece]	–	–	–	1	1	1	1	1	2
11 bar weights	[kg]	29	35	50	60	90	130	145	220	300
16 bar weights	[kg]	34	42	60	75	110	140	165	270	330
Gross price 11 bar		[€/piece]								
primed		375,-	456,-	497,-	705,-	772,-	948,-	1033,-	1565,-	1676,-
galvanized		461,-	547,-	581,-	829,-	982,-	1203,-	1360,-	2041,-	2104,-
Bruttopreis 16 bar		[€/piece]								
primed		456,-	540,-	682,-	862,-	911,-	1081,-	1203,-	1566,-	2367,-
galvanized		555,-	626,-	858,-	1058,-	1143,-	1312,-	1591,-	2003,-	2768,-

IX. Compressed air tank DLB (horizontal construction)



Fig. galvanized



Product description

- Compressed air tanks with a capacity of up to 750 litres, 11 bar, are manufactured in accordance with Directive 2009/105/EC and EN 286 1; those with a capacity of 750 litres and more, 16 bar, in accordance with the PED 97/23/EC and the AD 2000 data sheets
- Maximum permissible working temperature: -10 °C to 50 °C
- Connections: sleeves in accordance with DIN 2986, thread in accordance with DIN 2999
- Inspection opening: HLV hand hole seal 100 mm/ 150 mm
- Protection against corrosion: grey primer applied to the outside / raw on the inside; inside and outside hot-dip galvanized (full immersion)
- Compressed air tanks with a capacity of more than 1000 litres are available upon request.

IX. Compressed air tank DLB (horizontal construction)

Tank model	DLB	40	60	90	150	250	350	500	750	1000
Capacity	[litre]	40	60	90	150	250	350	500	750	1000
Diameter	D [mm]	300	300	350	400	500	550	600	750	800
Total length	L [mm]	755	924	990	1310	1400	1610	1780	1860	2160
Height of base	F [mm]	70	70	70	70	70	70	70	100	100
Total height	H [mm]	370	370	420	470	570	620	670	850	900
Length of casing	M [mm]	585	750	800	1110	1160	1350	1500	1500	1750
	O [mm]	—	—	110	130	175	200	200	200	200
	P [mm]	70	140	150	250	245	340	415	415	350
	Q [mm]	400	500	500	670	670	670	670	670	800
	T [mm]	45	45	45	45	45	45	45	45	45
Sleeves A1 RP	[inches]	¼	¼	¼	¼	½	½	½	½	½
A2 RP	[inches]	½	½	½	½	½	½	½	½	½
A3 RP	[inches]	—	—	¼	¼	½	½	½	½	½
A4 RP	[inches]	½	½	½	1	1	1	1	1	1
A5 RP	[inches]	—	—	¾	¾	¾	¾	¾	¾	¾
A6 RP	[inches]	1	1	1½	1	1	1	1	1	1
A7 RP	[inches]	¼	¼	¼	¼	½	½	½	½	½
HLV	[piece]	—	—	—	1	1	1	1	1	2
11 bar weights	[kg]	29	35	50	60	90	130	145	220	300
16 bar weights	[kg]	34	42	60	75	110	140	160	270	330
Gross price 11 bar		[€/piece]								
primed		375,-	456,-	497,-	779,-	805,-	948,-	1033,-	1397,-	1676,-
galvanized		461,-	547,-	581,-	920,-	1012,-	1203,-	1360,-	1797,-	2040,-
Gross price 16 bar		[€/piece]								
primed		456,-	540,-	618,-	862,-	911,-	1096,-	1203,-	1566,-	2367,-
galvanized		577,-	626,-	740,-	1058,-	1143,-	1405,-	1591,-	2003,-	2768,-