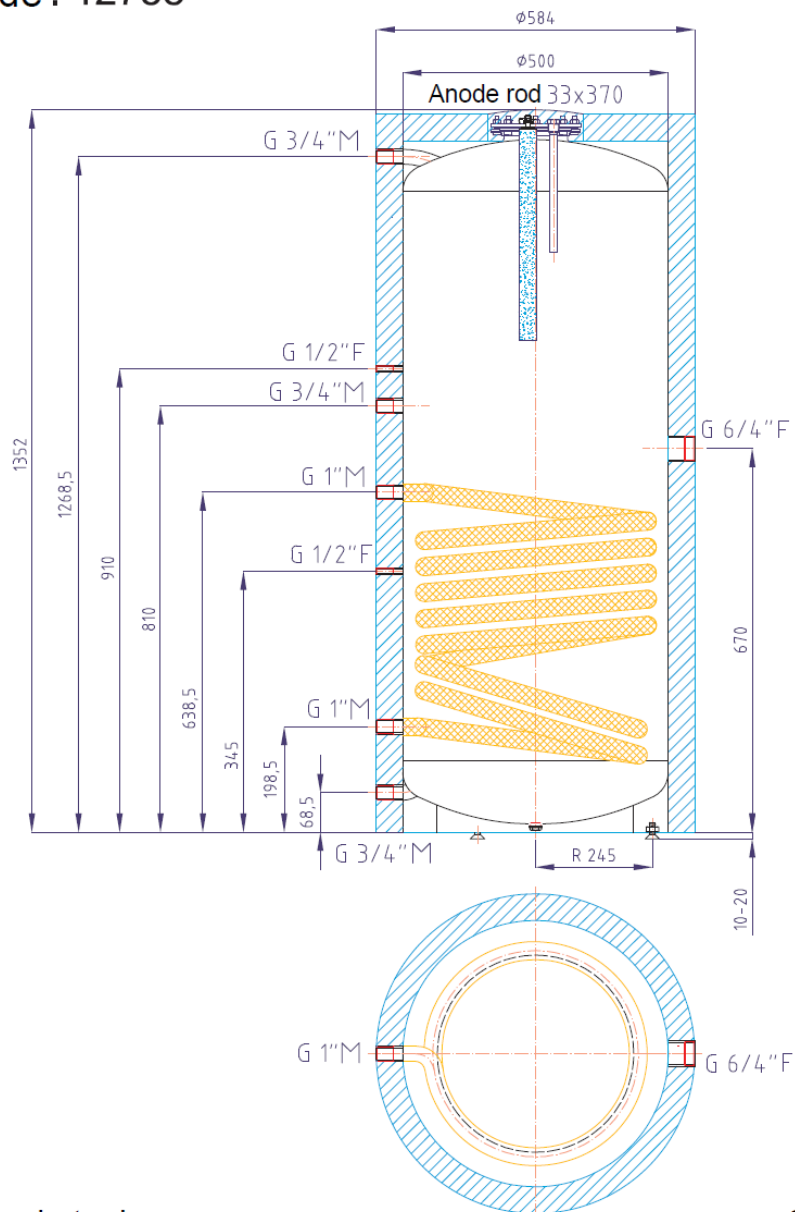


Storage water heater RDC 200

code : 12758



Total fluid volume in tank	200 l
Tank volume	193 l
Heat exchanger volume	7.0 l
Heat exchanger surface area	1.0 m ²
Max. working temperature in tank	95 °C
Max. working temperature in heat exchanger	110 °C
Max. working pressure in tank	10 bar
Max. working pressure in heat exchanger	10 bar
DHW heating from 10 °C to 45 °C at heating water temp. of 60 °C ...	590 l/h (24 kW)
Empty weight	97 kg